

## Z512 12-1/4" HEAVY-DUTY DRAIN



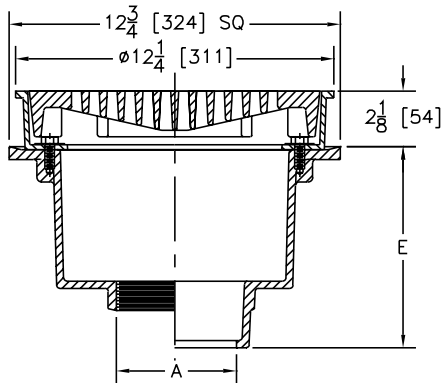
### ENGINEERING SPECIFICATION

Zurn Z512 12-1/4" diameter top drain features Dura-Coated cast iron deep sump body with bottom outlet, seepage pan, and combination flashing clamp and frame for heavy-duty tractor grate.

### NOTES

\*Add 3/16" to 2-1/8" dimension and 3/4" to 12-1/4" dimension for ZB and ZN

A Pipe Size inch [mm]	Grate Open Area sq in [cm <sup>2</sup> ]	Approximate Weight lb [kg]
3 [76], 4 [102], 6 [152]	30 [194]	44 [20]



PREFIXES	DESCRIPTION	PIPE SIZE	LIST PRICE
Z512*	D.C.C.I. Body and Top	3", 4", 6"	1,391.00
ZB512	D.C.C.I. Body Assembly with Polished Bronze Top	3", 4", 6"	2,023.00
ZN512	D.C.C.I. Body Assembly with Polished Nickel Bronze Top	3", 4", 6"	2,111.00

OUTLETS (SPECIFY PIPE SIZE IN INCHES AND TYPE OF OUTLET)				
OUTLET TYPE		PIPE SIZE/ OUTLET TYPE	E BODY HT. DIM.	ADD
IC	Inside Caulk	4IC, 6IC	7-3/4"	N/C
IG	Inside Gasket	4IG, 6IG	7-3/4"	N/C
IP	Threaded	4IP, 6IP	6-5/16"	80.00
NL	Neo-Loc	3NL, 4NL	7-1/4"	N/C
NH	No-Hub	3NH, 4NH, 6NH	7-13/16"	N/C
SUFFIXES				ADD
-AR	Acid Resistant Epoxy Coated Cast Iron			774.00
-DG	Duresist Grate			261.00
-G	Galvanized Cast Iron			623.00
-S	Secondary Strainer			62.00
-SS	Stainless Mesh Liner for Bucket			417.00
-T	Square Top		Z	343.00
			ZB	433.00
			ZN	489.00
⊖ -TC	Neo-Loc Test Cap Gasket (3", 4" NL Bottom Outlet Only)			24.00
-TS	Top Secured with Slotted Screws			129.00
-VP	Vandal-Proof Secured Top			149.00
-Y	Sediment Bucket			326.00
BEST SELLERS				LIST PRICE
Z512-4NH-Y				1,717.00
Z512-4NL-Y				1,717.00

Supplied By:



877-903-7246

www.commercialplumbingsupply.com